

TC2 SERIES

OPERATING INSTRUCTIONS

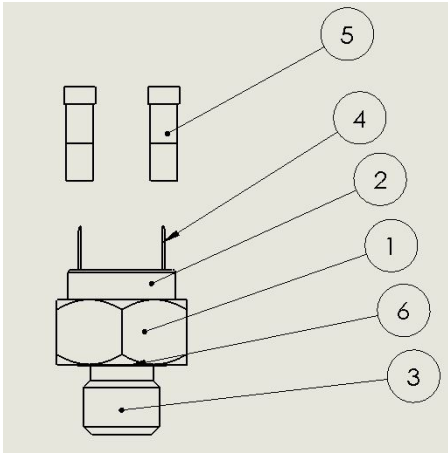
INDEX

1. General Informations
2. Product Features
3. Purpose of Using Product
4. Product Error
5. Product Care and Clearance
6. Product Montage and Removing
7. Product Returning and Disposal

1. General Informations

- The bimetal thermostat described in the operating instructions has been designed and manufactured using state of-the-art technology.
- All components are subject to stringent quality and environmental criteria during production.
- Our quality management systems are certified to ISO 9001 : 2015
- Bimetal thermostates are not safety equipment of system.
- Operating instruction is part of product and it must be reached conveniently
- Personal who is using bimetal thermostat, must read and understand precisely.
- User is responsible about all safety applications.
- User must be sure about comply with purpose of bimetal thermostat.
- User must be sure about any destruction on bimetal thermostat while on transport before montage.
- PNOMEK® is not responsible about problems caused by incorrect installation.
- Values on product defining plate are maximum values and all of them can not be used at the same time.
- If you need to use bimetal thermostat in aggressive chemicals, please contact with PNOMEK®.
- It is advised absolutely that strict to Hydraulic oil (liquid) clearance standarts.
- You must use filtration for preventing system errors. It is effective about long system life.
- You must avoid from using under shock temperature and out of indicated values for having long life working service.

2. Product Features



1. Body
2. Thermostat
3. Mechanical Connection
4. Electrical Connection Socket
5. Product Defining Plate

Product Features and Function

1-) Body : Body, component of bimetal thermostat, has sensitive dimension. You must not install bimetal thermostat, keeping body.

2-) Thermostat : It is used for measuring temperature

3-) Mechanical Connection: Thermostat connection process.

4-) Electrical Connection Socket: It is product of electrical connection part. Please contact with us If you need information out of parameters on defining plate

5-) Product Defining Plate: It is including mechanical and electrical informations about product. If you need informations about applications that out of parameter, please contact with us.

6-) A-A: Please mount the bimetal thermostat, keeping A-A connection part.

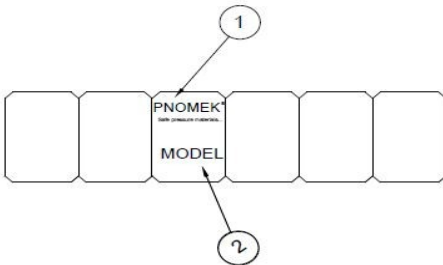
3. Purpose of Using

1. TC2 Series bimetal thermostat opens or closes electric circuit depending on temperature rising or dropping.
2. Usage of bimetal thermostat must comply with technic specification
3. Bimetal thermostat has been designed for purposed usage. It must be used as indicated here.
4. User must be sure about comply with purpose of bimetal thermostat.
5. If you need to use bimetal thermostat in aggressive chemicals, please contact with PNOMEK®.
6. PNOMEK® is not responsible about using out of operating insturction

STANDART VERSION

Model	TC2
Kontak	NA
Anma Gerilimi	250V AC 50 Hz/60 Hz
Anma Akımı	10A
Kontak Direnci	50 mΩ
Gövde Malzemesi	PIRİNÇ
Mekanik Bağl.Şekli	G1 / 2 " , G1/4" , M22X1,5
Elektrik Bağl.Şekli	TERMİNAL
Max.Ortam Sıcaklığı	205 °C
Çalışma Ömrü	100,000 Saykıl
Koruma Sınıfı	IP65

Product Defining Plate



1. Manufacturer
2. Model

4. Errors



WARNING!!

Risk of injury, property damage and environmental damage;
If you can not prevent errors although actions, bimetal thermostat must be taken from usage.

- You check the temperature and protect safety in case of bimetal thermostat Works accidentally.
- Connect with manufacturer.
- If you need to return the bimetal thermostat, you must review product returning part.



WARNING!!

Risk of injury due to dangerous material, property damage and environmental damage;

If there is any connection with dangerous material (Example. oxygen, acetylen, burner or poisoner materials), harmful materials (Example. corrosion, poisoned, carcinogenic, radioactive), cooling systems and compressors physical injuries, property damages and environmental damages can be occur.

- If any error occurs, product might has extreme heat, and corrosion material under high temperature or vacuum.
- Complied current codes as well standart arrangement for these materials or arrangement must be followed.
- You must wear necessary equipment clothes.



- Look back page of operating insturction of contact information.

5. Product Care and Clearance

Product Care

Bimetal thermostat has not a necessary about care.

Bimetal thermostat repairing is made by only manufacturers

Product Clearance

- Bimetal thermostates clearances is must be watchfully. Clearance must occur without any destruction on product or product defining plate.
- Uncomplied clearance materials for bimetal thermostat, corrosion clearance materails or sharpened materials can destruct the product. Please avoid from using these materials
- You must use a soft and wet cloth for clearance of product.

6. Product Montage and Removing

Product Montage

1. Connection point must be cleared.
2. Screw the product manual to connection place.
3. Screw the product with flathead screw driver.
4. Make electrical connection.

Removing Product

1. Deactive the energy of product.
2. Disconnect the electrical connection.
3. Remove the product with flathead screw driver.

7. Product Returning and Disposal

Product Returning

While you are sending the product, you must be careful about followings:

If products that returning to PNO MEK, has dangerous chemical materials, It must be cleared before returnin operation. Product absolutely must not have any dangerous chemical materials.

While you return the product, product must be in original box, original ambalage or appropriate ambalage.

Product Disposal

False product disposal may have a risk. While you destruct the product, please comply with environment and special waste disposal rules

